

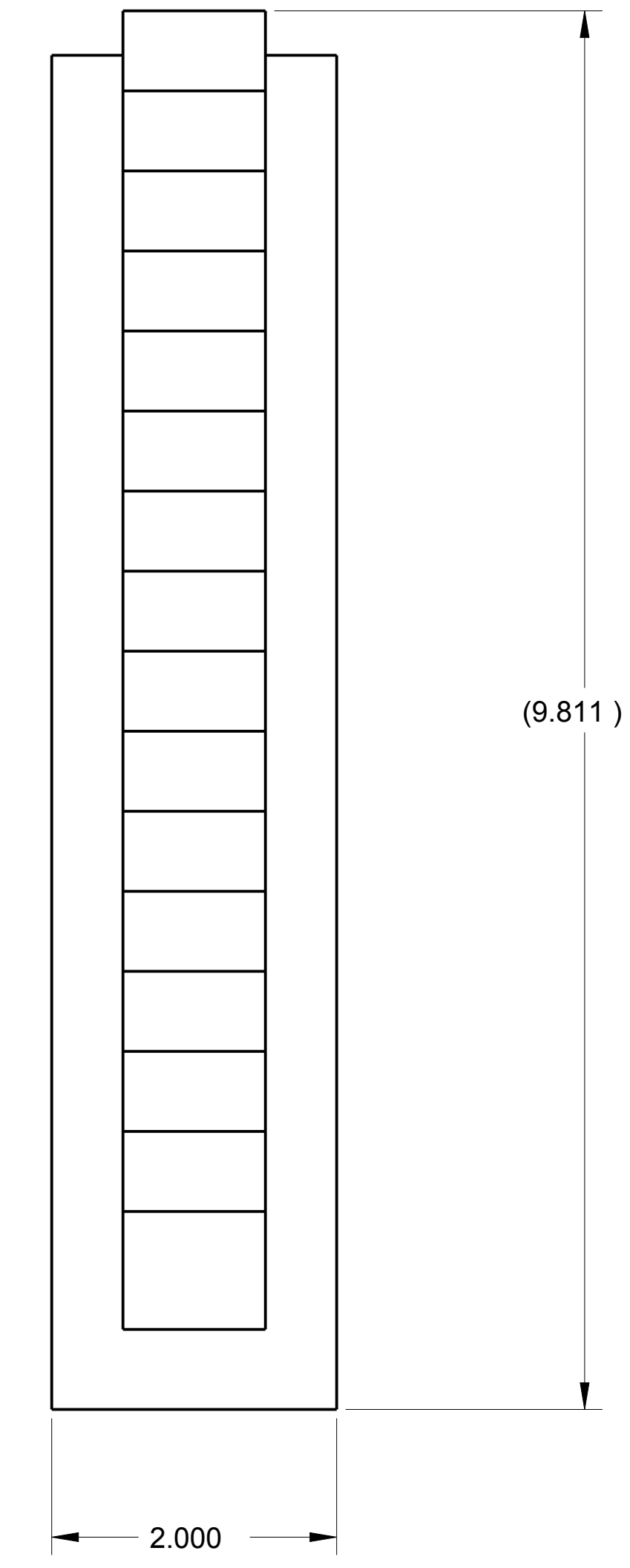
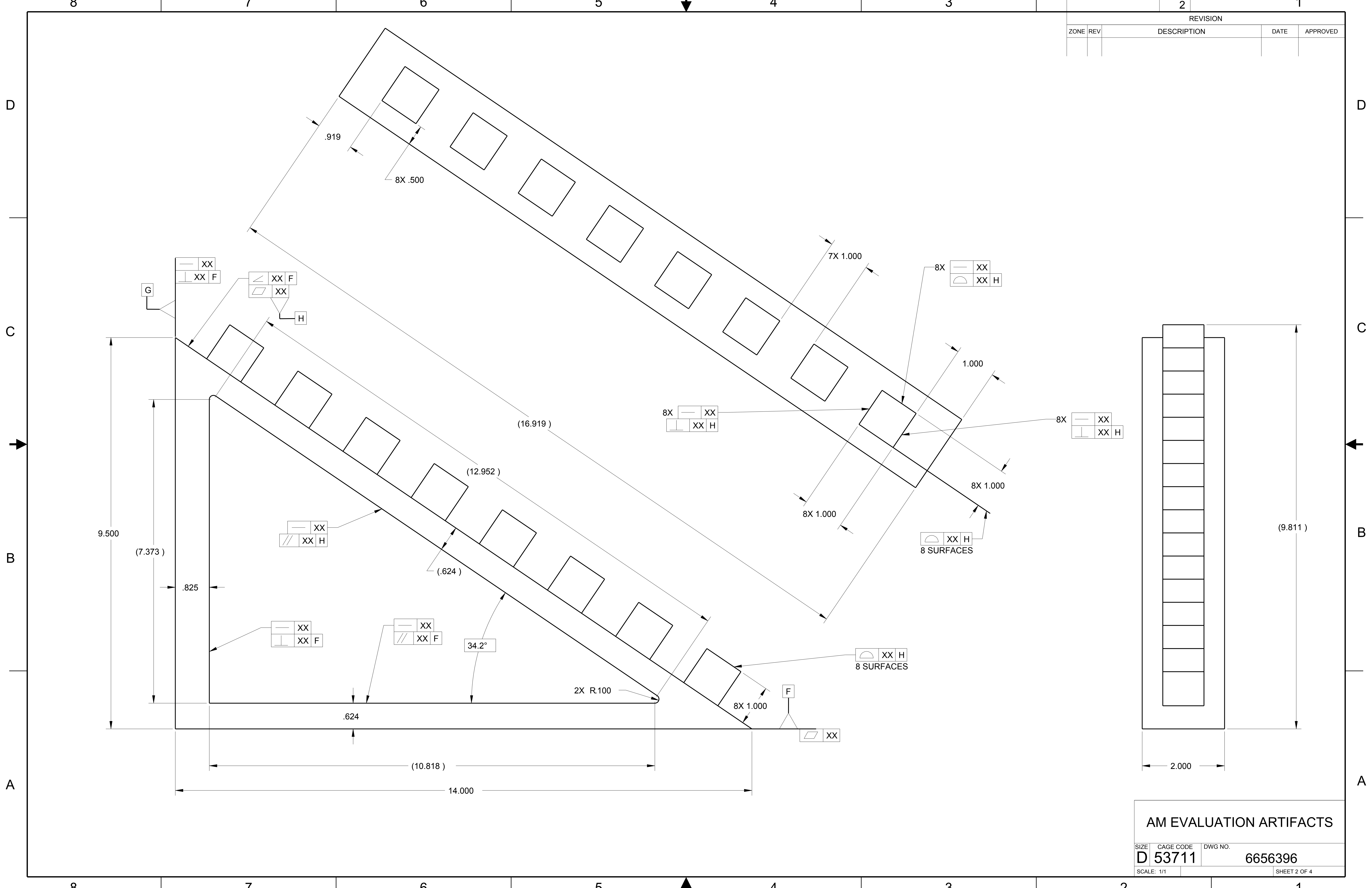
REVISION				
ZONE	REV	DESCRIPTION	DATE	APPROVED

DETAIL A
SCALE 3/1

DISTRIBUTION STATEMENT A

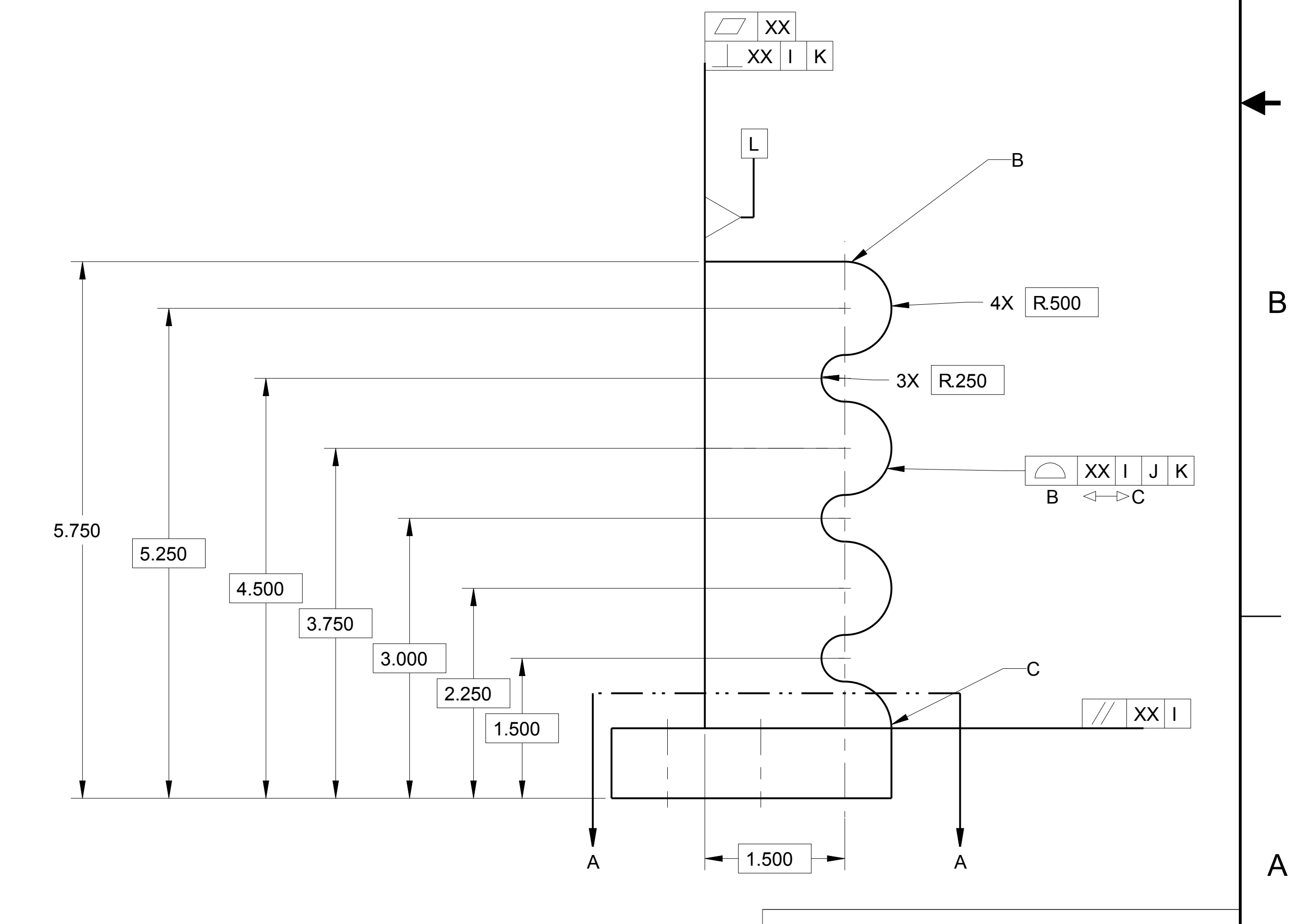
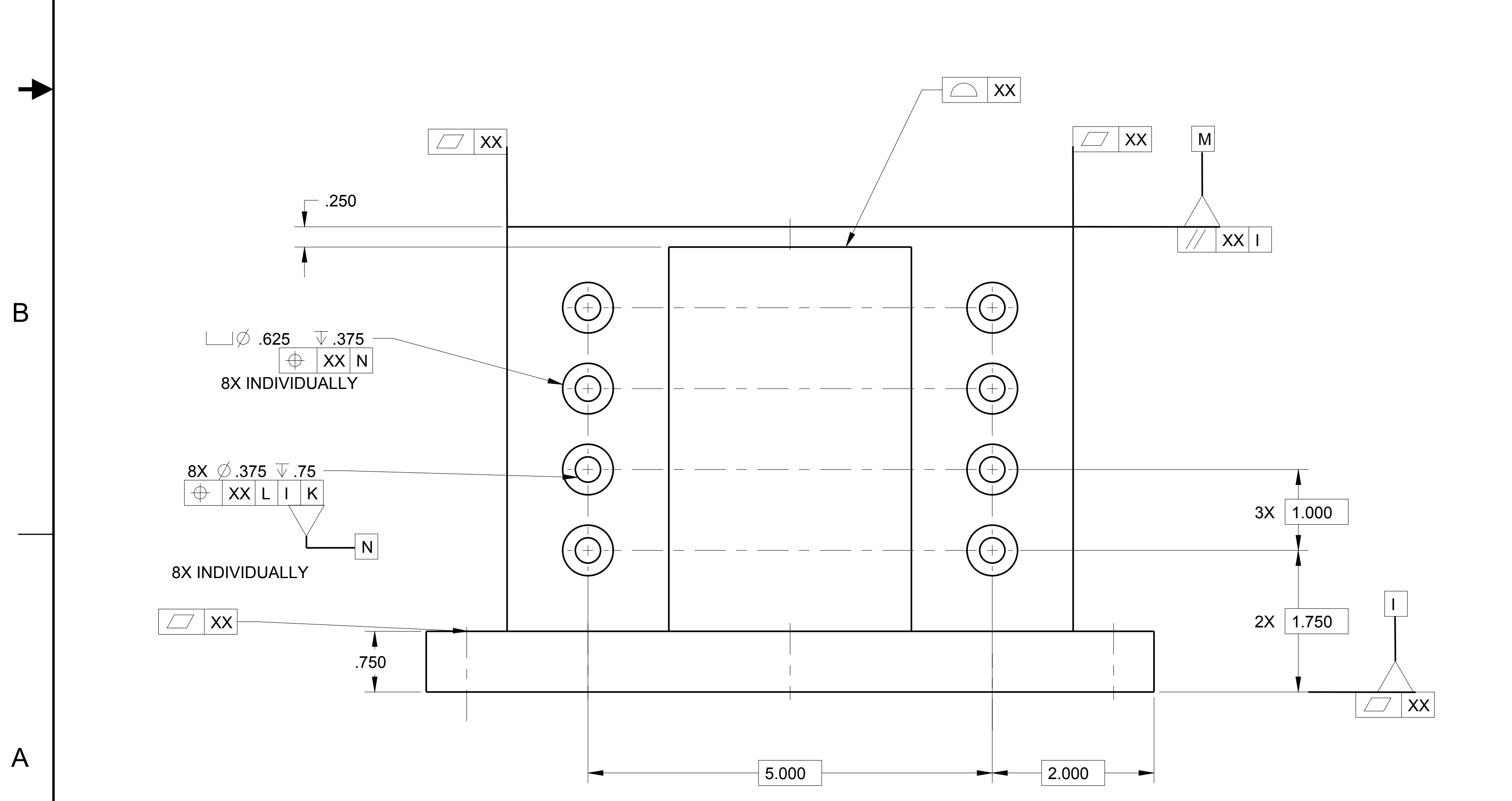
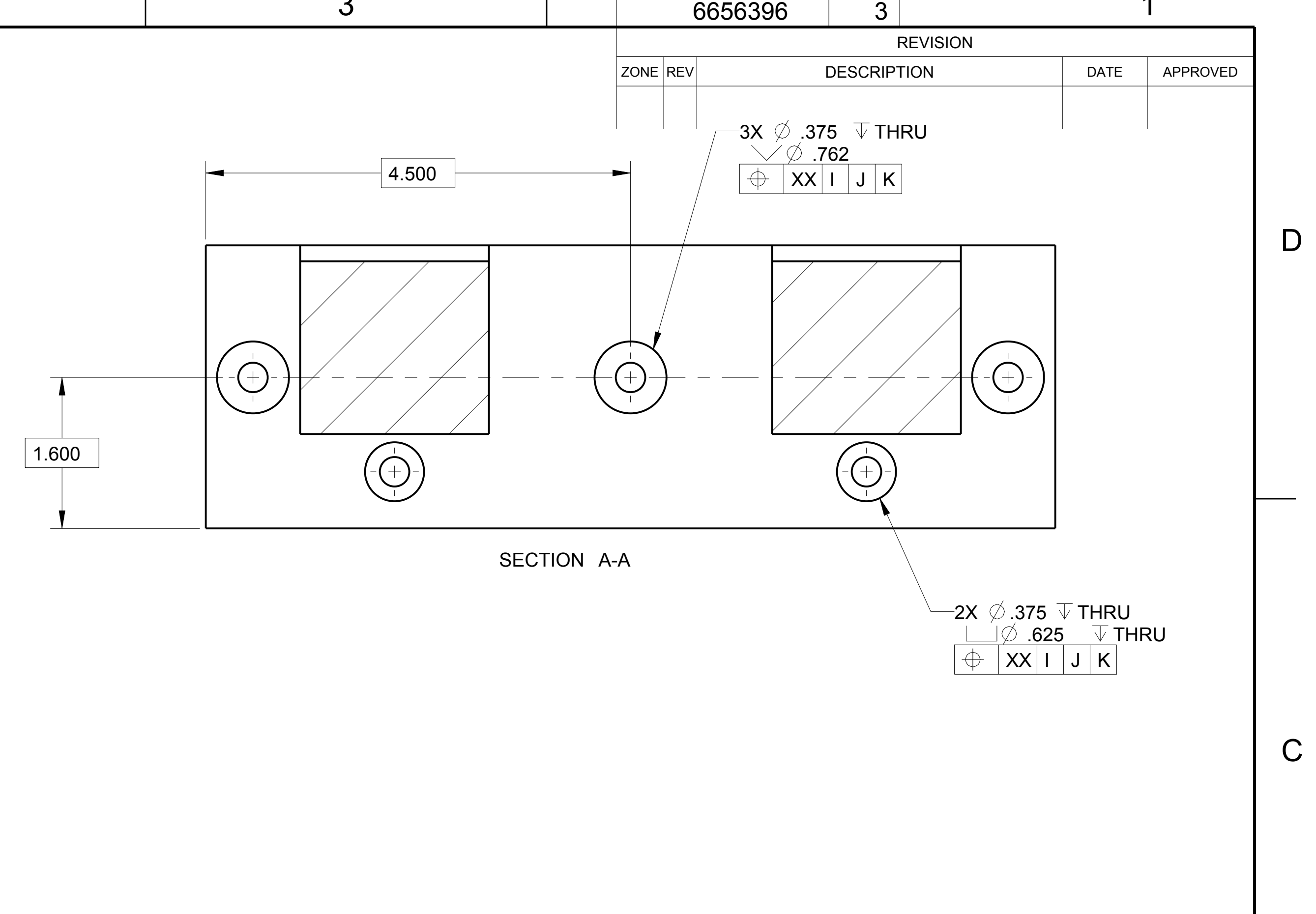
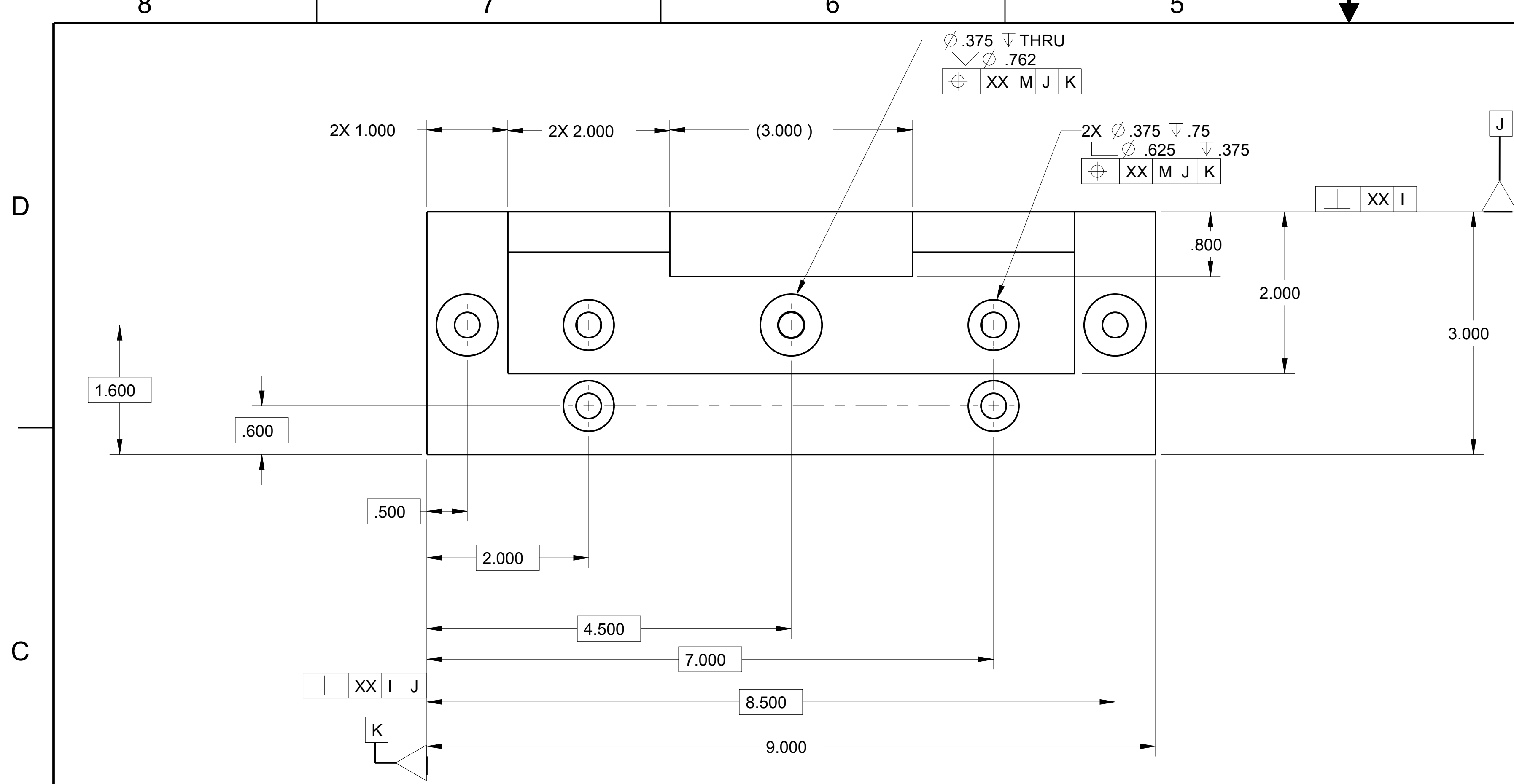
UNLESS OTHERWISE SPECIFIED DIMENSIONS ARE IN INCHES		NSIC CODE - CASE CODE (2555) CASE: 14 0322-581		DEPARTMENT OF THE NAVY NAVAL SEA SYSTEMS COMMAND WASHINGTON, D.C. 20382-5101	
TOLERANCES - ANGLES ± X "	INSPECTION	M/A	3/1/15	AM EVALUATION ARTIFACTS	
3 PLACE DECIMALS ± .001	PRODUCTION	-	-		
2 PLACE DECIMALS ± .005	SHIP NAME	VC	3/1/15		
PARTY SHALL BE FREE OF BURRS	BIT NUMBER	-	-		
SHARP EDGES MAX	PROJ NUMBER	VC	3/1/15		
INSIDE CORNERS R MAX	CHECKED	AW	3/1/15		
SURFACE ROUGHNESS ✓	PREPARED	-	-	APPROVED FOR NSIC HEADQUARTERS	SIZE: CASE CODE: DWG NO. D153711 6656396
NEXT ASSY	USED ON	DO NOT SCALE THIS DRAWING	INTERPRET DRAWING IS	DISTRIBUTION STATEMENT D	SCALE: 2/1
APPLICATION		ACCORDANCE WITH ASME Y14.100			

DWG NO.	SH	2	1
REVISION			
ZONE	REV	DESCRIPTION	DATE



AM EVALUATION ARTIFACTS			
SIZE	CAGE CODE	DWG NO.	
D	53711	6656396	
SCALE: 1/1	SHEET 2 OF 4		

REVISION				
ZONE	REV	DESCRIPTION	DATE	APPROVED



AM EVALUATION ARTIFACTS

SIZE	CAGE CODE	DWG NO.
D	53711	6656396
SCALE: 1/1	SHEET 3 OF 4	

8

7

6

5

4

3

DWG NO. 6656396

SH 4

1

REVISION				
ZONE	REV	DESCRIPTION	DATE	APPROVED

D

D

C

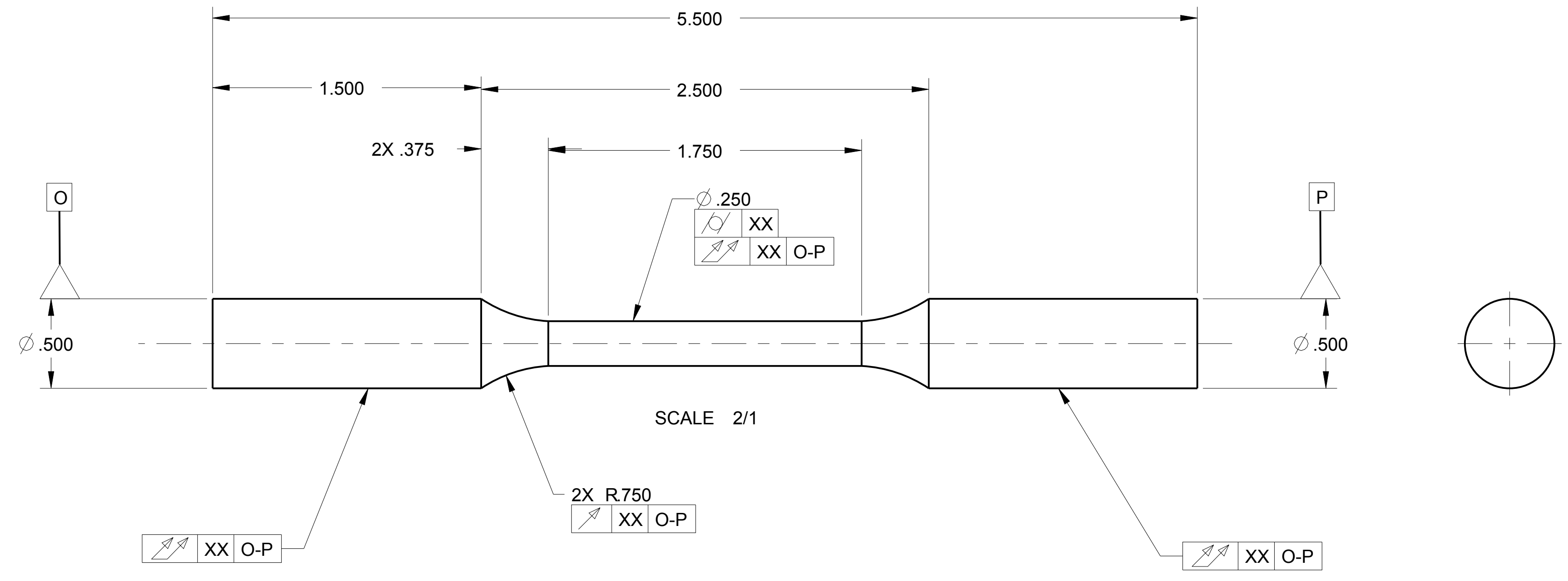
C

B

B

A

A



AM EVALUATION ARTIFACTS

SIZE	CAGE CODE	DWG NO.
D	53711	6656396
SCALE: 1/1	SHEET 4 OF 4	

8

7

6

5

4

3

2

1